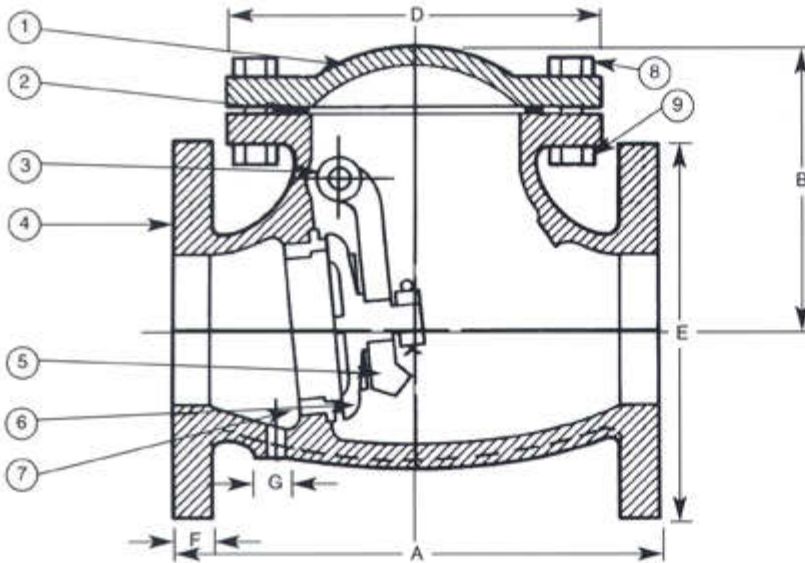


Iron Body Check Valve

Class 125

Fig. 0702/0702AI Swing Check Valve
 2"-24" Flanged 125 PSI SWP 200 PSI CWP
 Available in All Iron sizes 2"-12"

Conforms to MSS SP-71 Type I



0702 PART

0702 PART	SPECIFICATION
1. Cap	Cast Iron ASTM A-126 CL B
2. Gasket	Non Asbestos
3. Hinge Pin	Brass ASTM B-16
3. Hinge Pin (All Iron)*	Steel ASTM A-108 GR 1215
4. Body	Cast Iron ASTM A-126 CL B
5. Clapper Arm	Ductile Iron ASTM A-395
6. Disc	Cast Iron ASTM A-126 CL B
6. Disc (All Iron)*	Cast Iron ASTM A-126 CL B
7. Seat Ring	Bronze ASTM B-62
7. Seat Ring (All Iron)*	Cast Iron ASTM A-126 CL B
8. Cap Bolt	Steel ASTM A-307 GR B
9. Cap Nut	Steel ASTM A-307 GR B
10. Disc Face (Not Shown)	Bronze ASTM B-62
11. Side Plug (Not Shown)	Steel ASTM A-105

* Use Suffix AI to order all iron valves

SIZE	0702 DIMENSIONS (in.)					
	A	B	D	E	F	G
2"	8	4 ¹³ / ₃₂	6 ¹ / ₈	6	5 ⁵ / ₈	1 ¹ / ₄
2 ¹ / ₂ "	8 ¹ / ₂	5 ⁵ / ₁₆	6 ³ / ₄	7	1 ¹¹ / ₁₆	1 ¹ / ₄
3"	9 ¹ / ₂	5 ⁵ / ₈	7 ¹⁹ / ₃₂	7 ¹ / ₂	3 ³ / ₄	1 ³ / ₈
4"	11 ¹ / ₂	6 ³¹ / ₃₂	8 ⁵ / ₈	9	1 ¹⁵ / ₁₆	1 ¹ / ₂
6"	14	8 ¹⁵ / ₃₂	11 ⁵ / ₈	11	1	1 ¹ / ₂
8"	19 ¹ / ₂	11 ⁷ / ₃₂	14 ¹ / ₄	13 ¹ / ₂	1 ¹ / ₈	1 ³ / ₄
10"	24 ¹ / ₂	13 ¹³ / ₁₆	16 ³ / ₈	16	1 ³ / ₁₆	1 ³ / ₄
12"	27 ¹ / ₂	14 ²¹ / ₃₂	19 ³ / ₃₂	19	1 ¹ / ₄	1 ³ / ₄
14"	31	15 ³ / ₄	22 ¹ / ₄	21	1 ³ / ₈	2 ¹ / ₈
16"	36	17 ¹ / ₄	26 ³ / ₈	23 ¹ / ₂	1 ⁷ / ₁₆	2 ¹ / ₈
18"	38	19	27 ¹ / ₄	25	1 ⁹ / ₁₆	2 ¹ / ₈
20"	42	21 ⁷ / ₈	29 ³ / ₄	27 ¹ / ₂	1 ¹¹ / ₁₆	2 ¹ / ₈
24"	46	24 ⁷ / ₁₆	34 ⁷ / ₈	32	1 ⁷ / ₈	2 ¹ / ₈

SIZE	0702AI DIMENSIONS (in.)					
	A	B	D	E	F	G
2"	8	4 ¹³ / ₃₂	6 ¹ / ₈	6	5 ⁵ / ₈	1 ¹ / ₄
2 ¹ / ₂ "	8 ¹ / ₂	5 ⁵ / ₁₆	6 ³ / ₄	7	1 ¹¹ / ₁₆	1 ¹ / ₄
3"	9 ¹ / ₂	5 ⁵ / ₈	7 ¹⁹ / ₃₂	7 ¹ / ₂	3 ³ / ₄	1 ³ / ₈
4"	11 ¹ / ₂	6 ³¹ / ₃₂	8 ⁵ / ₈	9	1 ¹⁵ / ₁₆	1 ¹ / ₂
6"	14	8 ¹⁵ / ₃₂	11 ⁵ / ₈	11	1	1 ¹ / ₂
8"	19 ¹ / ₂	11 ⁷ / ₃₂	14 ¹ / ₄	13 ¹ / ₂	1 ¹ / ₈	1 ³ / ₄
10"	24 ¹ / ₂	13 ¹³ / ₁₆	16 ³ / ₈	16	1 ³ / ₁₆	1 ³ / ₄
12"	27 ¹ / ₂	14 ²¹ / ₃₂	19 ³ / ₃₂	19	1 ¹ / ₄	1 ³ / ₄

SIZE	WEIGHT (lbs.)												
	2"	2 ¹ / ₂ "	3"	4"	6"	8"	10"	12"	14"	16"	18"	20"	24"
0702	25	34	43	74	122	253	385	615	1011	1290	1720	2340	3515

SIZE	WEIGHT (lbs.)							
	2"	2 ¹ / ₂ "	3"	4"	6"	8"	10"	12"
0702AI	25	34	43	74	122	253	385	615

All face to face dimensions conform to ANSI B16.10. Flanges conform to ANSI B16.1. It is recommended that valves 6" and larger be equipped with a by-pass. The size of the by-pass will be based on steam ratings in accordance with MSS Standard SP-45 unless otherwise ordered. All iron valves are also available. Use suffix AI to order.