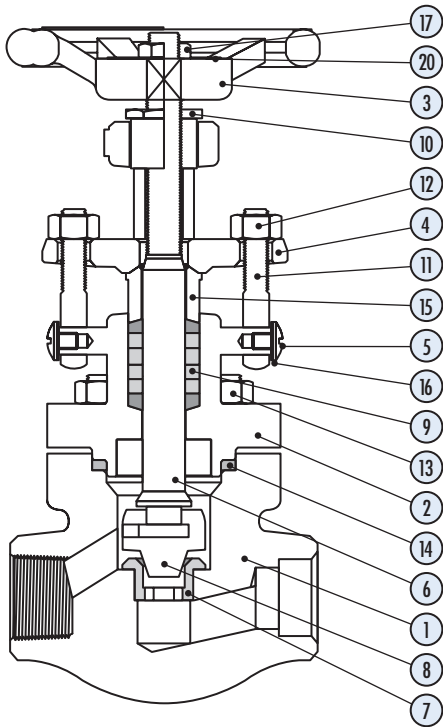


Globe Valves

Bolted & Welded Bonnet • Class 150, 300, 600, 800, 1500, & 2500



No.	Part	Material
1	Body	ASTM A105N Carbon Steel
2	Bonnet	ASTM A105N Carbon Steel
3	Handwheel	Carbon Steel
4	Gland Flange	ASTM A105 Carbon Steel
5	Eyebolt Screws	Zinc Plated Carbon Steel
6	Stem	ASTM A182 F6 Alloy Steel
7	Seat	ASTM S182 F6/Stellite® 6 Facing
8	Disc	ASTM A182 F6 Alloy Steel
9	Packing	Graphite Stack*
10	Yoke Nut	AISI Type 416 Stainless Steel
11	Eyebolts	ASTM A193 B8 Stainless Steel
12	Eyebolt Nuts	ASTM A194 2HM Carbon Steel
13	Cap Screws	ASTM A193 B7M Alloy Steel
14	Gasket	316 SS Spiral Wound Grafoil®
15	Packing Gland	AISI Type 416 Stainless Steel
16	Lock Nut Washer	Stainless Steel
17	Handwheel Nut	Carbon Steel
20	Name Plate	Aluminum

*Braided and die-formed graphite rings, John Crane 1625G (or equivalent) & Grafoil® GTK with corrosion inhibitor.

DSI® valves are manufactured in strict accordance with the following standards:

API 602	Compact steel gate valves
API 598	Valve Inspection and Test
ANSI/ASME B16.34	Steel valve, flanged and butt-welding end
ANSI/ASME B16.5	Steel pipe flanges and flanged fittings
ANSI/ASME B16.10	Face-to-face and end-to-end dimensions of ferrous valves
ANSI/ASME B16.11	Forged steel fittings, socket welding and threaded
ANSI/ASME B1.20.1	Pipe threads, general purpose
ANSI/ASME B31.3	Chemical plant and petroleum refinery piping
MSS SP-25	Standard marking system for valves, fittings, flanges and unions
MSS-SP-6	Standard finishes for contact faces of pipe, flanges and connecting end flanges of valves and fittings
NACE MR-01-75	Material requirements: Sulfide stress cracking resistant metallic materials for oil field equipment.

ASTM	External Material			Trim Material			Sealing Material		
	Body Bonnet	Bolts ASTM	Gland Bolt ASTM A193	Gland Nuts ASTM A194	Stem	Disc	Seat	Packing	Gasket
A105	A105N	B7M	B8	2HM	410	410	410HF	Grafoil® Sandwich Stack: Braided Construction Grafoil® and die-formed Grafoil® rings	316 Stainless Steel Spiral Wound Grafoil®
					316	316	316HF		
					410	410HF	410HF		
					Monel	Monel	Monel		
A350	LF2	L7M	B8	7M	410	410	410HF		
					316	316	316HF		
A182	F5	B16	B8	4	410	410	410HF		
	F11								
	F9	B8M	B8	8M	316L	316L	316LHF		
	F316L				316	316	316HF		

NOTE: Monel trim valves are fitted with a Monel spiral wound Grafoil® filled gasket.