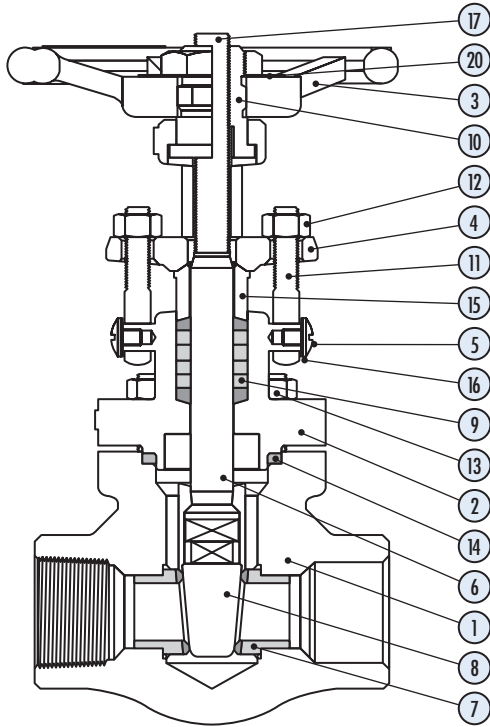




# Gate Valves

Bolted, Welded & Union Bonnet • Class 150, 300, 600, 800, 1500, & 2500



No.	Part	Material
1	Body	Carbon Steel, ASTM A105N
2	Bonnet	Carbon Steel, ASTM A105N
3	Handwheel	Carbon Steel
4	Gland Flange	Carbon Steel, ASTM A105
5	Eyebolt Screws	Zinc Plated, Carbon Steel
6	Stem	Alloy Steel, ASTM A182 F6
7	Seats	Alloy Steel, ASTM A182 F6/Stellite®-6
8	Wedge	Alloy Steel, ASTM A182 F6
9	Packing	Graphite Stack*
10	Yoke Nut	Stainless Steel, AISI 416
11	Eyebolts	Stainless Steel, ASTM A193-B8
12	Eyebolt Nuts	Carbon Steel, ASTM A194 2HM
13	Cap Screws	Alloy Steel, ASTM A193 B7M
14	Gasket	316 SS Spiral Wound Grafoil®
15	Packing Gland	Stainless Steel, AISI 416
16	Lock Nut Washer	Stainless Steel
17	Handwheel Nut	Carbon Steel
20	Name Plate	Aluminum

\*Braided and die-formed graphite rings, John Crane 1625G (or equivalent) & Grafoil® GTK with corrosion inhibitor.

DSI® valves are manufactured in strict accordance with the following standards:

API 602	Compact steel gate valves
API 598	Valve Inspection and Test
ANSI/ASME B16.34	Steel valve, flanged and butt-welding end
ANSI/ASME B16.5	Steel pipe flanges and flanged fittings
ANSI/ASME B16.10	Face-to-face and end-to-end dimensions of ferrous valves
ANSI/ASME B16.11	Forged steel fittings, socket welding and threaded
ANSI/ASME B1.20.1	Pipe threads, general purpose
ANSI/ASME B31.3	Chemical plant and petroleum refinery piping
MSS SP-25	Standard marking system for valves, fittings, flanges and unions
MSS-SP-6	Standard finishes for contact faces of pipe, flanges and connecting end flanges of valves and fittings
NACE MR-01-75	Material requirements: Sulfide stress cracking resistant metallic materials for oil field equipment.

External Material					Trim Material			Sealing Material	
ASTM	Body Bonnet	Bolts	Gland Bolt	Gland Nuts	Stem	Seats	Wedge	Packing	Gasket
		ASTM	ASTM A193	ASTM A194					
A105	A105N	B7M	B8	2HM	410	410HF	410	Grafoil® Sandwich Stack: Braided Construction Grafoil® and die-formed Grafoil® rings	316 Stainless Steel Spiral Wound Grafoil®
					316	316HF	316		
					410	410HF	410HF		
					Monel	Monel	Monel		
A350	LF2	L7M	B8	7M	410	410HF	410		
					316	316HF	316		
A182	F5	B16	B8	4	410	410HF	410		
	F11								
	F9								
	F316L								
	F316	B8M	B8	8M	316L	316LHF	316L		
					316	316HF	316		

NOTE: Monel trim valves are fitted with a Monel spiral wound Grafoil® filled gasket.